

**SODRON****Laser Scanning Sensor****Model**

SL04

**Product Features**

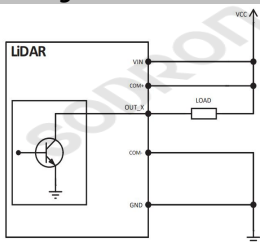
Short-range Miniaturized LiDAR for Distance Measurement

Compact size and light weigh

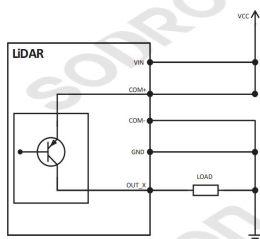
Millisecond-level response

Strong anti-interference capability

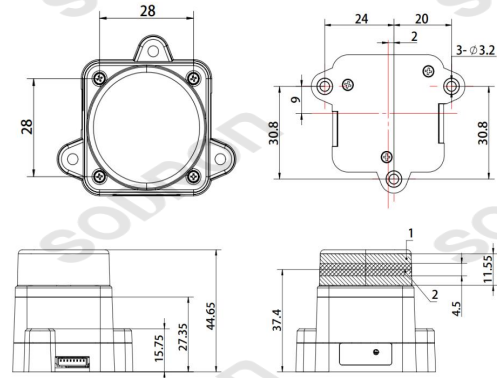
Excellent stability

**Wiring Method**

NPN



PNP

**Dimension****Technical Parameters**

Measuring Range	<a href="#">10m@90%,8m@10%</a>
Ranging Principle	dToF
Measurement Accuracy	±10mm(0.05-2m), ±1% (> 2m)
Horizontal Field of View (H-FOV)	360°
Pitch Angle	< 2°
Horizontal Angular Resolution	0.9°
Scanning Frequency	10Hz
Point Frequency	4kHz
Number of I/O Channels	2 Inputs, 4 Outputs
Detection Output Delay	0~1000ms
Detection Hold Delay	0~1000ms
Zone Group	2
Zone Configuration	WiFi
Laser Safety Class	Class1(IEC-60825)
Wavelength	905nm
Power Supply	9~36V
Power Consumption	1.5W
Operating Temperature	-10°C~50°C
Storage Temperature	-30°C~70°C
Ambient Light Immunity	60klux
Weight	51g(Bare Unit)
Outline Dimensions	52.7mm×45.2mm×44.7mm